

# SO-1066-10385/10386

## ENGINEERING DATA SHEET

RELAY SOCKET  
5 AMP



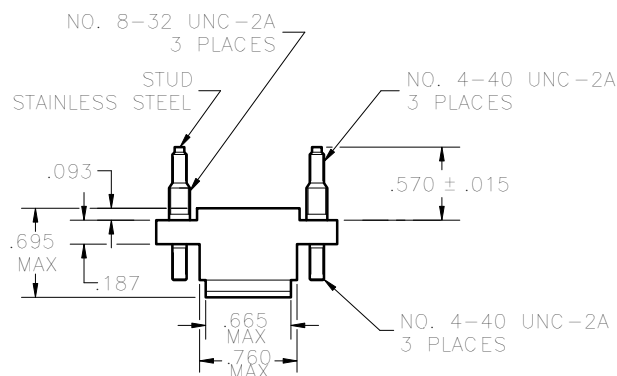
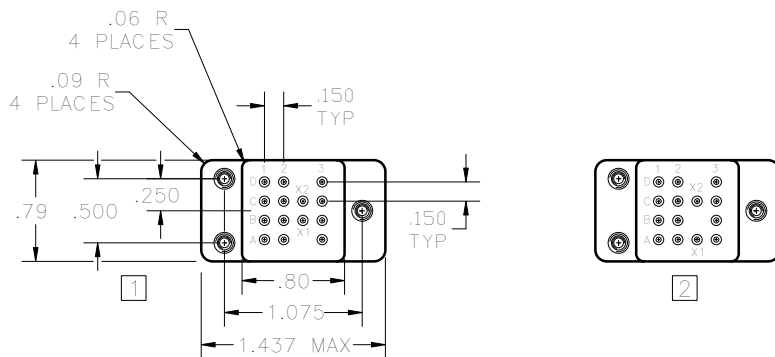
BASIC SOCKET SERIES DESIGNATION FOR:

**Series YA**

DESIGNED TO THE STANDARDS AND REQUIREMENTS OF:

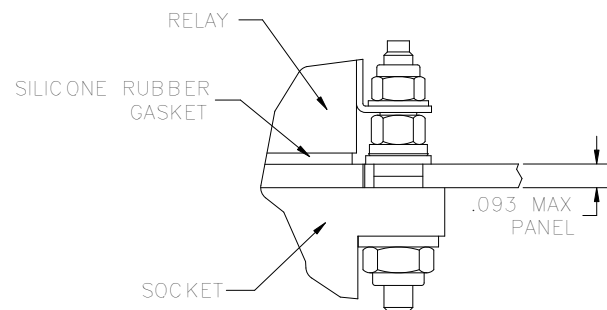
**MIL-S-12883/44**

### SOCKET DRAWING

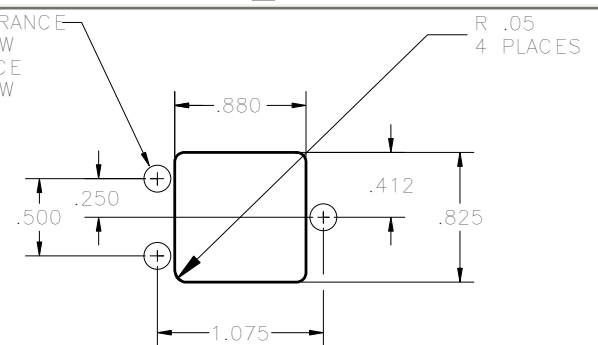


### HARDWARE MOUNTING

MOUNTING DETAIL 3 PLACES



BOTTOM MOUNT—CLEARANCE HOLE FOR .164 SCREW  
TOP MOUNT—CLEARANCE HOLE FOR .112 SCREW



### MOUNTING DIMENSIONS

## GENERAL CHARACTERISTICS

[1]. Supplied with mounting hardware and No. 20 contacts and crimp for coil codes F, K (SO-1066-10385).

[2]. Supplied with mounting hardware and No. 20 contacts and crimp for coil codes E, J (SO-1066-10386).

3. Standard tolerances	.xx ±.01; xxx ±.005.
4. Weight	.055 lb. max
5. Temperature range	-70° C to +125° C



Leach International  
www.leachintl.com

**North America**  
6900 Orangethorpe Ave.  
P.O. Box 5032  
Buena Park, CA 90622 USA

Tel: (01) 714-736-7599  
Fax: (01) 714-670-1145

**Europe, SA**  
2 Rue Goethe  
57430 Sarralbe  
France

Tel: (33) 3 87 97 98 97  
Fax: (33) 3 87 97 84 04

**Asia-Pacific Ltd.**  
20/F Shing Hing Commercial Bldg.  
21-27 Wing Kut Street  
Central, Hong Kong

Tel: (852) 2 191 2886  
Fax: (852) 2 389 5803

Data sheets are for initial product selection and comparison. Contact Leach International prior to choosing a component.