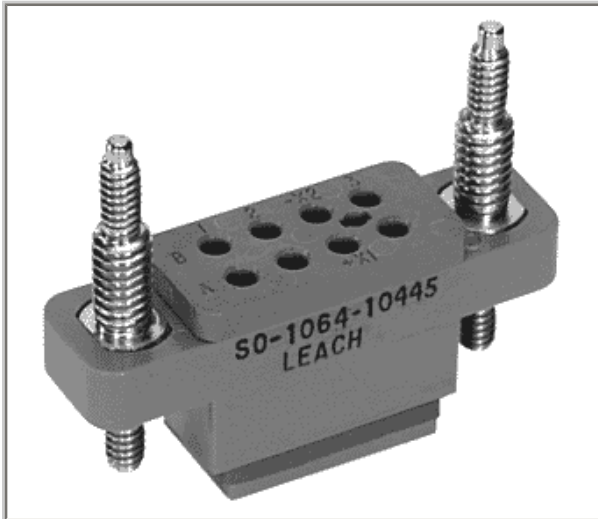


SO-1064-10444/10445

ENGINEERING DATA SHEET

RELAY SOCKET
5 AMP



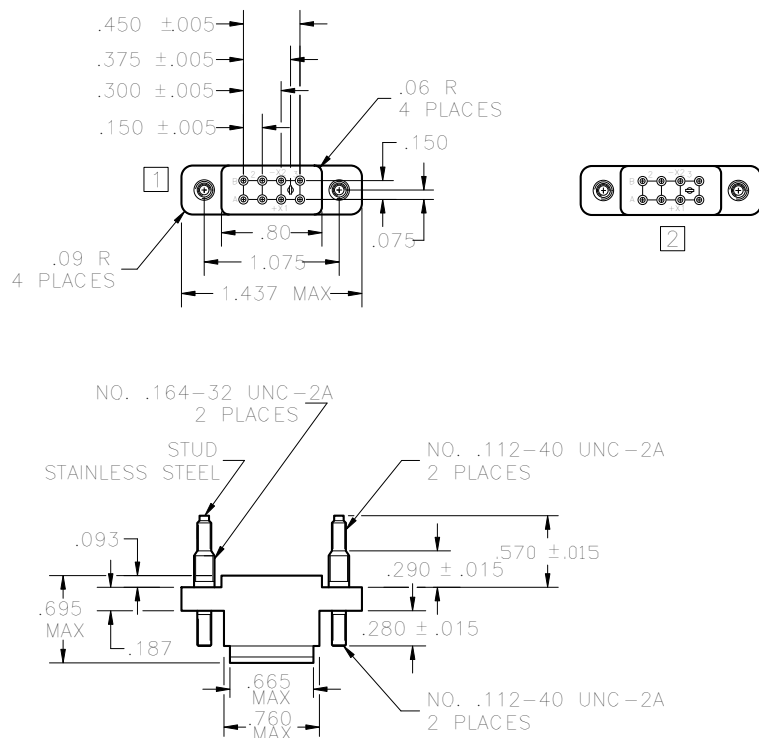
BASIC SOCKET SERIES DESIGNATION FOR:

Series XA

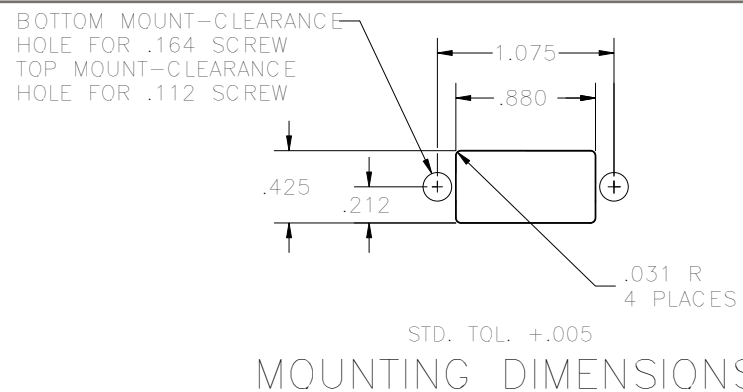
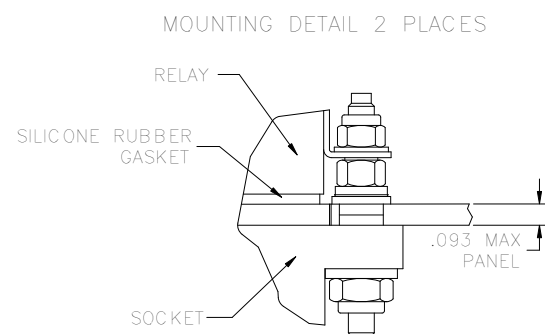
DESIGNED TO THE STANDARDS AND REQUIREMENTS OF:

MIL-S-12883/45

SOCKET DRAWING



HARDWARE MOUNTING



GENERAL CHARACTERISTICS

[1] Supplied with mounting hardware NO. 20 contacts and crimp for coil code J (SO-1064-10444).

[2] Supplied with mounting hardware NO. 20 contacts and crimp for coil codes F,K (SO-1064-10445).

3. Standard tolerances	.xx ±.01; xxx ±.005
4. Weight	.033 lb. max
5. Temperature range	-70° C to +125° C



Leach International
www.leachintl.com

North America
6900 Orangethorpe Ave.
P.O. Box 5032
Buena Park, CA 90622 USA

Tel: (01) 714-736-7599
Fax: (01) 714-670-1145

Europe, SA
2 Rue Goethe
57430 Sarralbe
France

Tel: (33) 3 87 97 98 97
Fax: (33) 3 87 97 84 04

Asia-Pacific Ltd.
20/F Shing Hing Commercial Bldg.
21-27 Wing Kut Street
Central, Hong Kong

Tel: (852) 2 191 2886
Fax: (852) 2 389 5803

Data sheets are for initial product selection and comparison. Contact Leach International prior to choosing a component.