

# ENGINEERING DATA SHEET

# SO-1064-003

## RELAY SOCKET 5 AMP



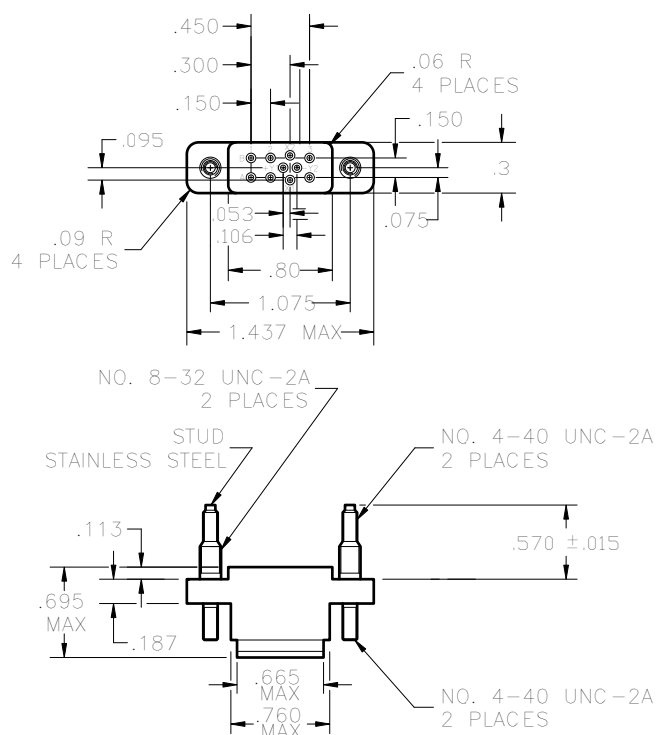
BASIC SOCKET SERIES DESIGNATION FOR:

**Series XL**

DESIGNED TO THE STANDARDS AND REQUIREMENTS OF:

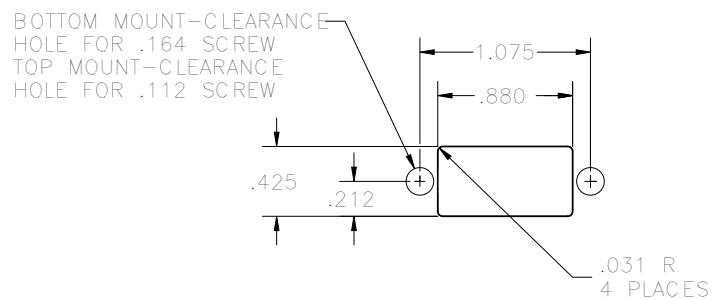
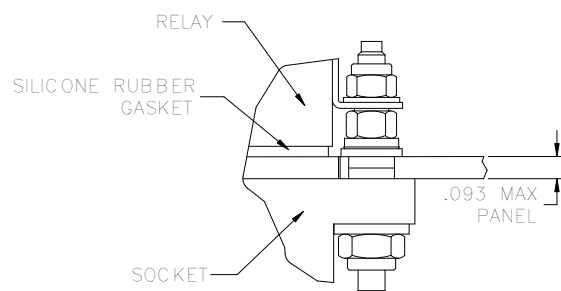
**MIL-S-12883/45**

### SOCKET DRAWING



### HARDWARE MOUNTING

MOUNTING DETAIL 2 PLACES



STD. TOL. +.005

### MOUNTING DIMENSIONS

## GENERAL CHARACTERISTICS

1. Supplied with mounting hardware and (6) No. 20 contacts, No. 20 crimp for power terminals; (4) No. 22 contacts, No. 22 crimp for coil terminals.

2. Standard tolerances

.xx ±.01; xxx ±.005

3. Weight

.030 lb. max

4. Temperature range

-70° C to +125° C



Leach International  
www.leachintl.com

**North America**  
6900 Orangethorpe Ave.  
P.O. Box 5032  
Buena Park, CA 90622 USA

Tel: (01) 714-736-7599  
Fax: (01) 714-670-1145

**Europe, SA**  
2 Rue Goethe  
57430 Sarralbe  
France

Tel: (33) 3 87 97 98 97  
Fax: (33) 3 87 97 84 04

**Asia-Pacific Ltd.**  
20/F Shing Hing Commercial Bldg.  
21-27 Wing Kut Street  
Central, Hong Kong

Tel: (852) 2 191 2886  
Fax: (852) 2 389 5803

Data sheets are for initial product selection and comparison. Contact Leach International prior to choosing a component.