

SO-1049-8772/8774

ENGINEERING DATA SHEET

RELAY SOCKET
10 AMP



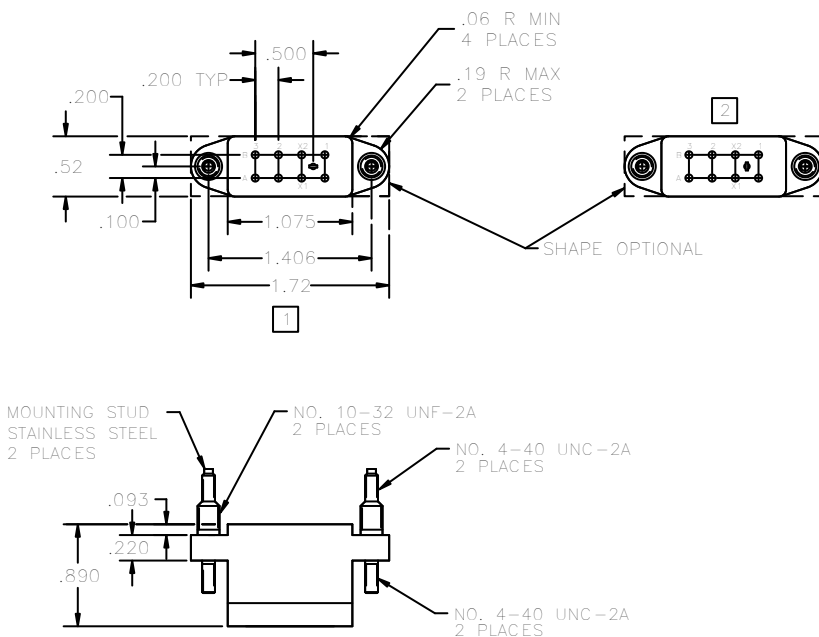
BASIC SOCKET SERIES DESIGNATION FOR:

Series JA

DESIGNED TO THE STANDARDS AND REQUIREMENTS OF:

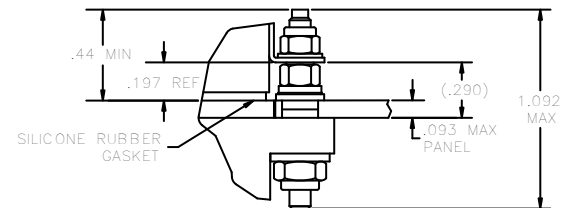
MIL-S-12883/41

SOCKET DRAWING

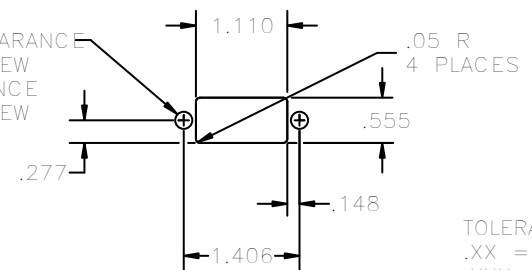


HARDWARE MOUNTING

MOUNTING DETAIL



BOTTOM MOUNT—CLEARANCE HOLE FOR .192 SCREW
TOP MOUNT—CLEARANCE HOLE FOR .112 SCREW



TOLERANCE:
.XX = .03
.XXX = .010

MOUNTING DIMENSIONS

GENERAL CHARACTERISTICS

[1] Supplied with mounting hardware and No. 16 contacts, No. 16 crimp for coil 115 Vac, rear release (SO-1049-8772)

[2] Supplied with mounting hardware and No. 16 contacts, No. 16 crimp for coil 28 Vac, rear release (SO-1049-8774)

3. Standard tolerances

.xx ±.01; xxx ±.005

4. Weight

.073 lb. max

[5] Temperature range

-70° C to +125° C



Leach International
www.leachintl.com

North America
6900 Orangethorpe Ave.
P.O. Box 5032
Buena Park, CA 90622 USA

Tel: (01) 714-736-7599
Fax: (01) 714-670-1145

Europe, SA
2 Rue Goethe
57430 Sarralbe
France

Tel: (33) 3 87 97 98 97
Fax: (33) 3 87 97 84 04

Asia-Pacific Ltd.
20/F Shing Hing Commercial
Bldg.
21-27 Wing Kut Street
Central, Hong Kong

Tel: (852) 2 191 2886
Fax: (852) 2 389 5803

Data sheets are for initial product selection and comparison. Contact Leach International prior to choosing a component.