

Three Lead Bicolor Panel Mount LED Indicator

ML 1623/ML 1633



communications
Electrodynamics, Inc.

Designed for use as function indicators on aircraft, test equipment, machine tools and wherever severe environmental conditions need to be met, especially vibration and EMI.

FEATURES

- Multiple Status Indication within a Single Package
- Performs in Severe Environments
- Low Power Use
- Rugged Construction
- Panel Mounted
- Optional EMI Screen
- Internal Resistor Available

MECHANICAL SPECIFICATIONS

Case: Aluminum, black anodized front with clear chromate back.
Mounting: Front panel by 5/16-32" nut and lockwasher.
Seal: Environmentally sealed. Added front panel O-ring seal for model ML1633.

ENVIRONMENTAL SPECIFICATIONS

Vibration: .06" D.A. or 20 G's Peak, whichever is less, 10 Hz to 2 kHz, MIL STD 202, Method 204, Test Condition D.
Shock: 100 G's MIL STD 202, Method 213, Test Condition I.
Humidity: MIL STD 202, Method 106.
Altitude: 100,000 ft., MIL STD 202, Method 105, Test Condition D.
Reliability: Operational 6×10^6 hrs. min. MTBF @ 25°C
Salt Spray: MIL STD 202, Method 101, Test Condition B.

ELECTRO-OPTICAL CHARACTERISTIC SPECIFICATIONS Absolute Maximum Ratings

ML 1623/1633

Colors	Red/Green		Yellow/Green	
Forward Voltage (VDC)	2.2	2.8	2.8	2.8
Peak Forward Current (mA)	90	90	90	90
DC Forward Current (mA)	30	30	30	30
Reverse Voltage (VDC) @ $I_R = 100 \mu A$	5	5	5	5
Power Dissipation (mW)	100	105	105	105
Luminous Intensity (mcd) typ @ $I_f = 20 \text{ mA}$	17	15	12	12
Dominant Wave Length (nm) typical	560	565	585	565
Viewing Angle	55°		55°	
Operating Temperature (°C)	-40 to +85	-40 to +85	-40 to +85	-40 to +85
Storage Temperature (°C)	-40 to +100	-40 to +100	-40 to +100	-40 to +100
Lead Soldering Temperature	260°C for 5 sec.			

¹Derate linearly from 50°C at 0.5 mA/°C

²Derate at 1.6 mW/°C above +25°C Ambient

ORDERING INFORMATION

When ordering, show model number first, followed by EMI screen, then LED color, lens type and terminal style.
If this is a special part, the factory assigned modification number will be added at the end of the ordering number.

Example: Basic model without an O-ring panel seal, with an EMI screen, a yellow/green LED, a diffused lens and loop terminals would be an ML1633E-Y/G-D-LT.

ML 1623 E-Y/G-D-LT-S ()

Basic Model Number	EMI Screen	LED. Color	Lens Type	Terminal Style	Factory Modification Number if Special
ML 1623 (w/o O-ring)	() None E Screen	R/G Red/Green Y/G Yellow/Green	ND Non-Diffused D Diffused	ST Straight Lead LT Solder Loop	S.+ ID No.
ML 1633 (w/ o-ring)					

Three Lead Bicolor Panel Mount LED Indicator

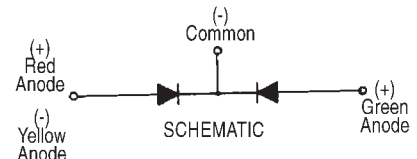
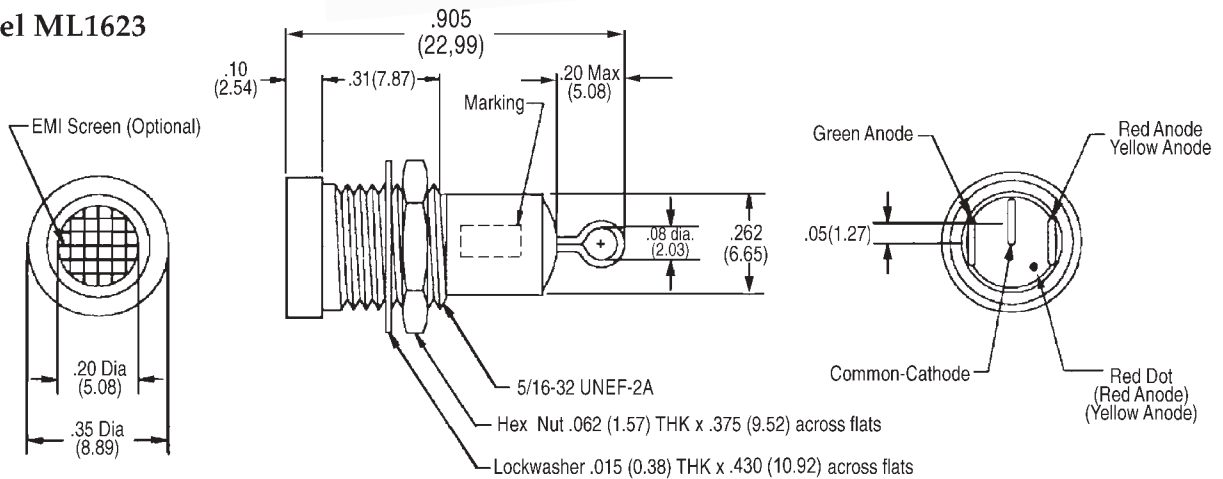
ML 1623/ML 1633



communications
Electrodynamics, Inc.

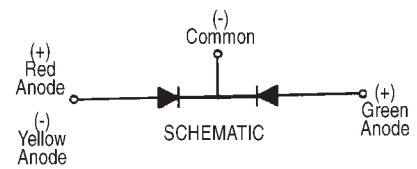
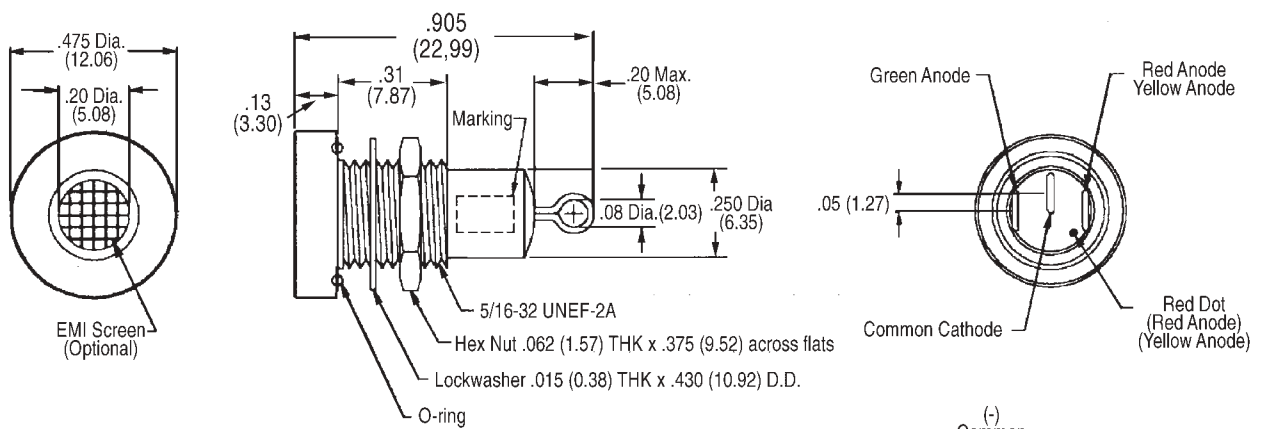


Model ML1623



Model ML1633

With Front Panel O-Ring



NOTE:

Dimensions in () are mm. Tolerances: Decimals: ± .010 (0,25) Fractions: ± 1/64 Mounting Torque: 5-7 in. lbs.

L-3 Communications / ElectroDynamics • 1200 Hicks Road • Rolling Meadows, IL 60008 • Tel: 847.660-1750 • Fax: 847.660-1751 • email: edi.info@L-3com.com • www.L-3com.com/edi