

FEATURES	SPECIFICATIONS	CURRENT RATINGS						
		28VDC			125VAC <sup>①</sup>			
<ul style="list-style-type: none"> <li>Moisture-proof</li> <li>Momentary snap action</li> <li>Black plunger (as standard)</li> <li>Various color adapters available</li> </ul>	<ul style="list-style-type: none"> <li>Electrical life: 25,000 operations minimum at rated current</li> <li>Temperature range: -67°F to +185°F (-55°C to +85°C)</li> <li>Exceeds MIL-S-8805 Seal Level 2</li> <li>Operating force: 5 ± 1 lb (22N ± 4.4N)</li> <li>Total plunger travel: 0.085 in. (0.22mm) approx.</li> <li>Weight with adapter: 0.025 lbs approx.</li> </ul>	Part Number	Type of Operation	Resistive	Inductive	Lamp	Resistive	Inductive
		W300	1 Momentary	10	5	3	15	

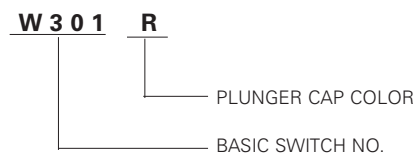
Part Number	Type of Operation
W300	1 Momentary

### SELECTION TABLE

Series and Type	Operation	Circuit Catalog Schematic	Catalog Number
W300	Momentary Snap Action	1 P.S.T.-NO 	W301
		1 P.S.T.-NC 	W302
		1 P-2 Circuit 	W303

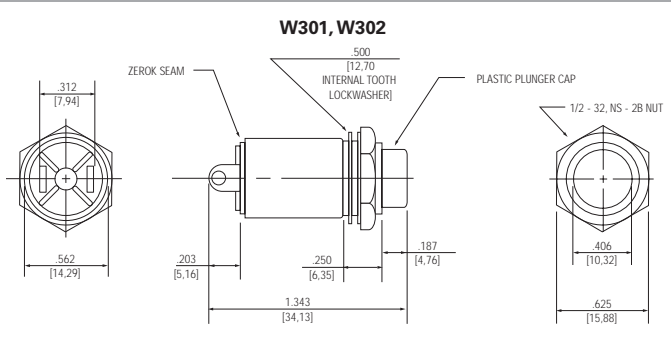


### WHEN ORDERING SPECIFY...



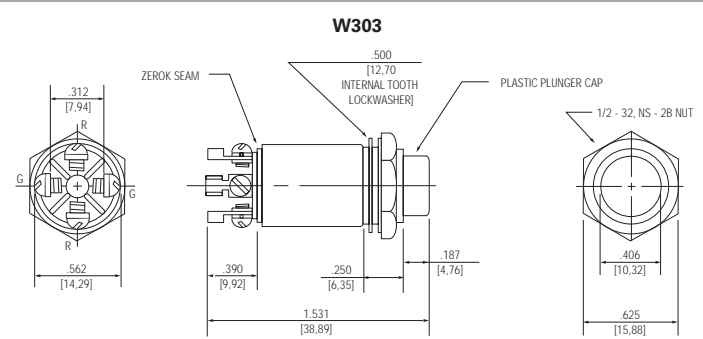
- Plunger Color:
  - Gray: GY
  - White: W
  - Red: R
  - Black: No Letter

### APPROXIMATE DIMENSIONS - W300



SUPPLIED WITH TWO TERMINAL SCREWS, LOCK WASHERS AND LUGS.

W300 SERIES W/SOLDER TERMINALS



SUPPLIED WITH FOUR TERMINAL SCREWS, LOCK WASHERS AND LUGS.

W300 SERIES W/SOLDER LUG TERMINALS

**STANDARD**  
0.00 = inches  
[0,0] = mm

Dimensions for reference only.

Mounting and terminal hardware supplied unassembled.