

Series - J4004 Alternate Action

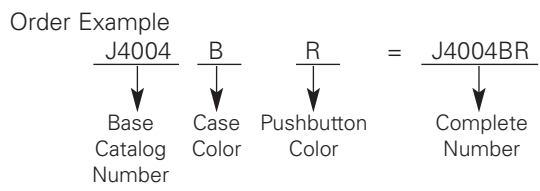
Alternate Action Pushbutton Switches

FEATURES	SPECIFICATIONS	CURRENT RATINGS						
		28VDC		125VAC				
		Resistive Load	Inductive Load	Resistive Load	Inductive Load <sup>①</sup>			
<ul style="list-style-type: none"> <li>Alternate action</li> <li>Snap action mechanism</li> <li>Single piece case construction</li> <li>Two case and four button colors available</li> </ul>	<ul style="list-style-type: none"> <li>Single pole, double throw, two circuit</li> <li>Operating force: 2 ± 0.75 lb (8.8N ± 3.3N)</li> <li>Mechanical life: 50,000 operations minimum</li> <li>Total plunger travel: 0.172in. (4.37mm) approx.</li> <li>Weight (approx.): 0.32 lbs (15g)</li> <li>Solder lug terminals</li> </ul>	<b>Part Number</b> J4004	<b>Number of Poles</b> 1	<b>Type of Operation</b> Alternate	10	5	10	5


<sup>①</sup> p.f. = .75

WHEN ORDERING SPECIFY...

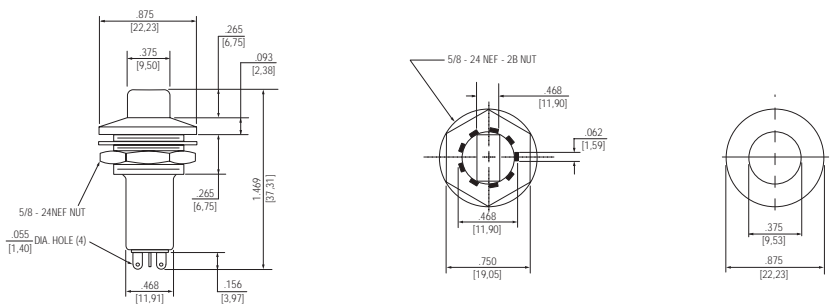
• **Catalog number of base switch** - followed by suffix letters for color of case and pushbutton



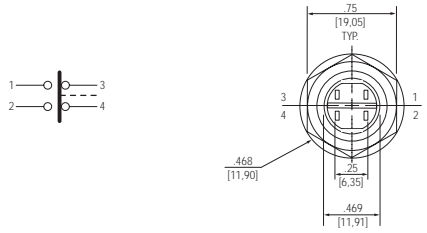
SELECTION TABLE

 J4004 Series	Base Catalog Number	Circuit	Case Color		Case Color	
			Color	Code Suffix	Color	Code Suffix
	J4004	1 P.D.T.-2 Ckt.	Black	B	Gray	GY
		Clear	None	White	W	
				Red	R	
				Black	None	

APPROXIMATE DIMENSIONS



SCHEMATIC DIAGRAM



**STANDARD**  
 0.00 = inches  
 [0,0] = mm

Dimensions for reference only.