

PUSHBUTTON SWITCHES

Series - D200 Heavy Duty

Momentary Snap Action Pushbutton Switches

FEATURES

- High current carrying capability
- Heavy duty pushbutton
- Snap action mechanism
- Minimal arcing and contact wear
- Fast double break action
- Variety of case styles and colors
- Protective shields can be ordered separately to prevent accidental actuation on "W" case model
- Black pushbutton supplied as standard

SPECIFICATIONS

- Operating force: 2.5 lbs ± .5 lb (11N ± 2.2N)
D201 thru D205
4 lbs. ± 1 lb. (1779N ± 4.45N)
D207
- Electrical life: 25,000 operations
minimum at rated load
- Total plunger travel (Approx.):
0.085 IN. (2.16mm),
0.438 IN. (11.12mm)
with "L" Adapter
- Operating temperature: -40°F to +160°F
(-40°C to +71°C)
- Momentary snap action
- Terminals: End Screw (Center Terminal Solder)
- Weight: "W" case 0.040 lb. (18g)
"P" case 0.050 lb (23g)
"L" case 0.045/0.055 lb (20g/25g)

CURRENT RATINGS

Part Number	Number of Poles	Operation	28VDC		115VAC	
			Resistive Load	Inductive Load ^①	Resistive Load	Inductive Load ^①
D201	1	Momentary	35	20	35	20
D202	1	Momentary	35	20	35	20
D203	1	Momentary	35	20	35	20
D204	1	Momentary	15	—	15	—
D205	1	Momentary	15	—	15	—
D207	1	Momentary	10 ^②	—	10 ^②	—

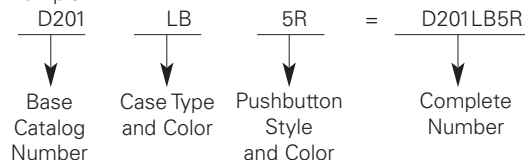
^① p.f. = .75

^② 3 amps max. through center terminal.

WHEN ORDERING SPECIFY...

- **Catalog number of base switch** - followed by suffix letters and numbers for type and color of case and pushbutton

Order Example:



SELECTION TABLE

SERIES AND TYPE

D200 Series



Base Catalog Number	Circuit	Case and Type and Color	Code Suffix	Pushbutton Style and Color		Code Suffix
				Button Style	Color	
D201	1 P.S.T.-NO Dbl. Brk.	Type "L"			Chrome	5
D202	1 P.S.T.-NC Dbl. Brk.	Black	LB		Black	5B
D203	1 P.D.T.-2 Ckt	Clear	L			
D204	S.P.-NO 3 Terminal	Type "P"			Red	2R
D205	S.P.-NC 3 Terminal	Black Clear	PB P		White Black	2W 2
					Red	3R
					White	3W
					Black	3
D207	S.P.-NO 4 Terminal	Type "W"			Red	2R
		Black Clear	WB W		White Black	2W 2
					Red	3R
					White Black	3W 3

D201L5 With Type "L" Case



D201P3 With Type "P" Case

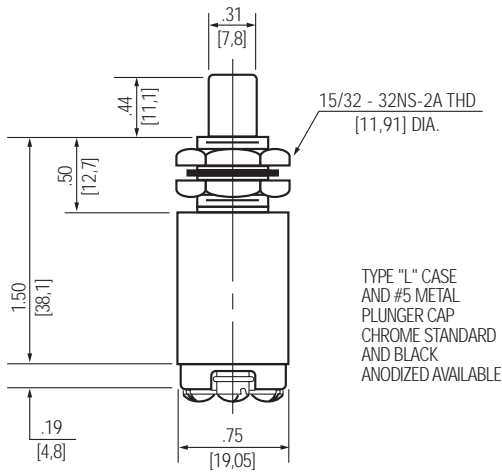


D201W3 With Type "W" Case

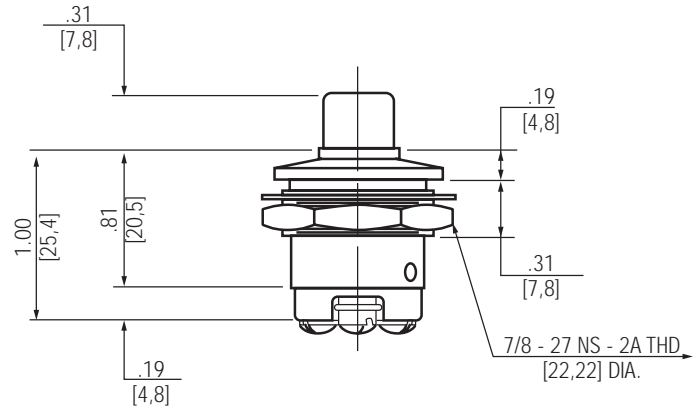
Series - D200 Heavy Duty

Momentary Snap Action Pushbutton Switches

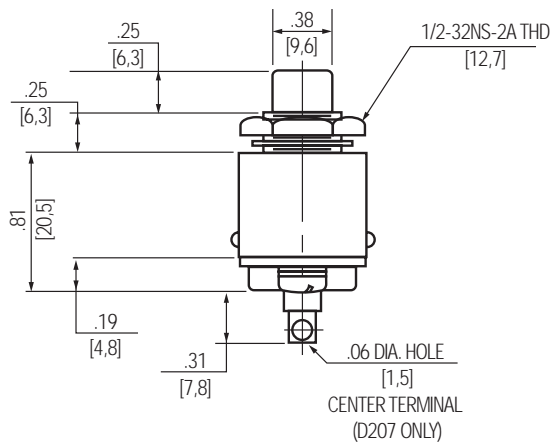
APPROXIMATE DIMENSIONS - D200 "L" CASE



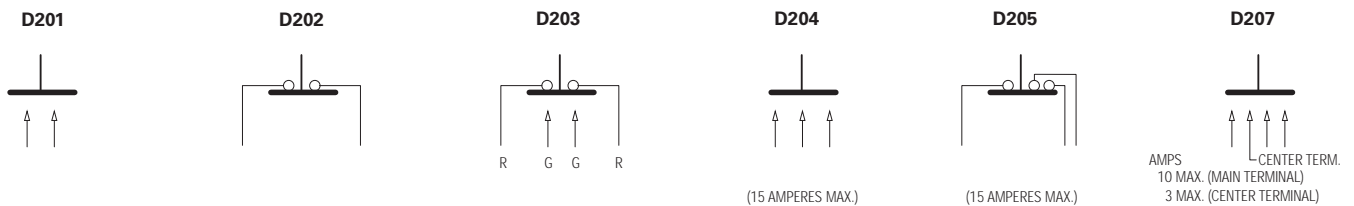
APPROXIMATE DIMENSIONS - D200 "P" CASE



APPROXIMATE DIMENSIONS - D200 "W" CASE



BASIC SWITCH AND SCHEMATIC DIAGRAM



STANDARD
0.00 = inches
[0,0] = mm

Dimensions for reference only.