

# PUSHBUTTON SWITCHES

## Sub-Miniature Pushbutton Switches

### FEATURES

- Sealed or unsealed versions
- Low operating force
- Momentary snap action
- EMI/RFI version (BR7070)
- Black or red adapter colors available
- Clear or black case colors available
- Compact, space saving design

### SPECIFICATIONS

- MIL-S-8805 approved
- Total plunger travel: .08/0.093 in. (0.236 mm) minimum
- Electrical life: 25,000 operations minimum at de-rated current  
10,000 operations minimum at rated current
- Operating force:
  - B9000 1.5 (6.66N) ± .5 lb (2.22N)
  - BW9000, B9020 & BW9020 1.75 (7.77N) ± .5 lb (2.22N)
  - B7070 1.5 (6.66N) ± .75 lb (3.33N)
  - BR7070 2.0 (8.88N) ± .75 lb (3.33N)
- Weight approx.:
  - B9000 0.01 lb (4.5g) Max. & B9020
  - BW9000 0.01 lb (4.5g) Max. & BW9020
  - B7070 0.02 lb (9.1g) Approx.
  - BR7070 0.02 lb (9.1g) Max.
- EMI/RFI shielded (BR7070 only)

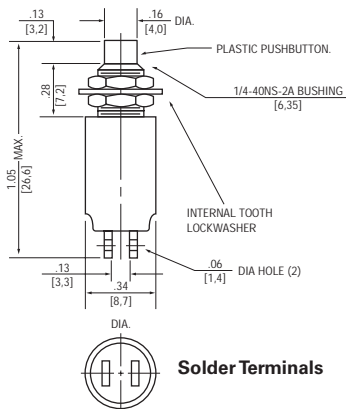
### CURRENT RATINGS

Part Number	Number of Poles	Type of Operation	28VDC		125VAC	
			Resistive Load	Inductive Load	Resistive Load	Inductive Load <sup>①</sup>
B9001	1	Momentary	7	4	7	4
B9002	1	Momentary	7	4	7	4
BW9001	1	Momentary	7	4	7	4
BW9002	1	Momentary	7	4	7	4
B9021	1	Momentary	7	4	7	4
B9022	1	Momentary	7	4	7	4
BW9021	1	Momentary	7	4	7	4
BW9022	1	Momentary	7	4	7	4
B7070	2	Momentary	1	1	1	1
BR7070 <sup>②</sup>	2	Momentary	1	1	1	1

<sup>①</sup> p.f. = .75

<sup>②</sup> EMI/RFI shielded

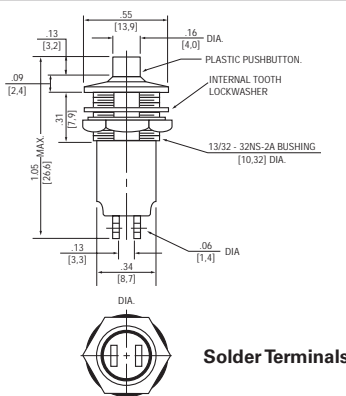
### APPROXIMATE DIMENSIONS



**B9001, 2  
Single Pole**

### SELECTION TABLES

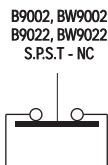
Catalog Number	Military Part Numbers M8805/96	Button Color	Circuit	Case Color	Enclosure Design
B9001R	-001	Red	SPST-NO	Clear	(unsealed)
B9001B	-002	Black	SPST-NO	Clear	(unsealed)
B9002R	-003	Red	SPST-NC	Clear	(unsealed)
B9002B	-004	Black	SPST-NC	Clear	(unsealed)
B9001BR	-005	Red	SPST-NO	Black	(unsealed)
B9001BB	-006	Black	SPST-NO	Black	(unsealed)
B9002BR	-007	Red	SPST-NC	Black	(unsealed)
B9002BB	-008	Black	SPST-NC	Black	(unsealed)
BW9001R	-009	Red	SPST-NO	Clear	(dust tight)
BW9001B	-010	Black	SPST-NO	Clear	(dust tight)
BW9002R	-011	Red	SPST-NC	Clear	(dust tight)
BW9002B	-012	Black	SPST-NC	Clear	(dust tight)
BW9001BR	-013	Red	SPST-NO	Black	(dust tight)
BW9001BB	-014	Black	SPST-NO	Black	(dust tight)
B9002BR	-015	Red	SPST-NC	Black	(dust tight)
B9002BB	-016	Black	SPST-NC	Black	(dust tight)



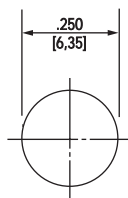
**B9021, 22  
Single Pole**

Catalog Number	Circuit	Case Color	Button Color
<b>Standard</b>	<b>Dust Tight</b>		
B9021CB	BW9021CB	SP-NO	Clear
B9021CR	BW9021CR		Clear
B9021BB	BW9021BB		Black
B9021BR	BW9021BR		Black
B9022CB	BW9022CB	SP-NC	Clear
B9022CR	BW9022CR		Clear
B9022BB	BW9022BB		Black
B9022BR	BW9022BR		Black

### SCHEMATIC DIAGRAMS - B AND BW SERIES

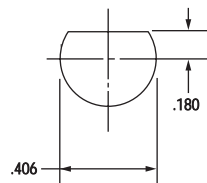


### PANEL CUT-OUT



PANEL MTG HOLE DIMENSIONS

### PANEL CUT-OUT



B9021, BW9021, B9022, BW9022  
PANEL MTG HOLE DIMENSIONS