

FEATURES	SPECIFICATIONS	CURRENT RATINGS							
		Catalog Number	Type of Operation	28VDC			115VAC 60 or 400Hz		
Resistive Load	Inductive Load			Lamp Load	Resistive Load	Inductive Load	Lamp Load		
<ul style="list-style-type: none"> • High strength handles and caps • Control stick mounted on hand-held grips • Trigger-operated pushbutton switches in handle • Positive action, double break trigger switch • Auxiliary switch in cap on 8895K1 • Catalog part numbers 8895 and 8896 mount to control stick • Catalog part number 8897 features a hand strap for multi-task capability 	<ul style="list-style-type: none"> • High impact Thermoset molding materials used in handles and caps • Temperature Range: -67°F to +150°F (-55°C to +65°C) • Life: 10,000 operations at rated load 10,000 operations mechanical life 	8895K1	Trigger PB sw	40	35	5	30	20	3
			Auxiliary PB sw	20	15	1.5	11	11	1
		8896K1	Trigger PB sw	40	35	5	30	20	3
		8897K1	Trigger PB sw	40	35	5	30	20	3
		8899K ^①	Pushbutton sw	10	5	3	—	—	—

^① Contact Customer Service for product information 800/955-7354, 941/751-7138, Fax 941/751-7173.

SELECTION TABLE



Type	Poles and Throw	Circuit Arrangement		Features	Government Drawing Number	Catalog Number
		Normal	Depressed			
Pistol Grip	1 P.S.T.	OFF	ON *	— With Auxiliary Switch With Hand Strap	NAF1173-1 NAF1173-2 NAF1174-1	8896K1 8895K1 8897K1

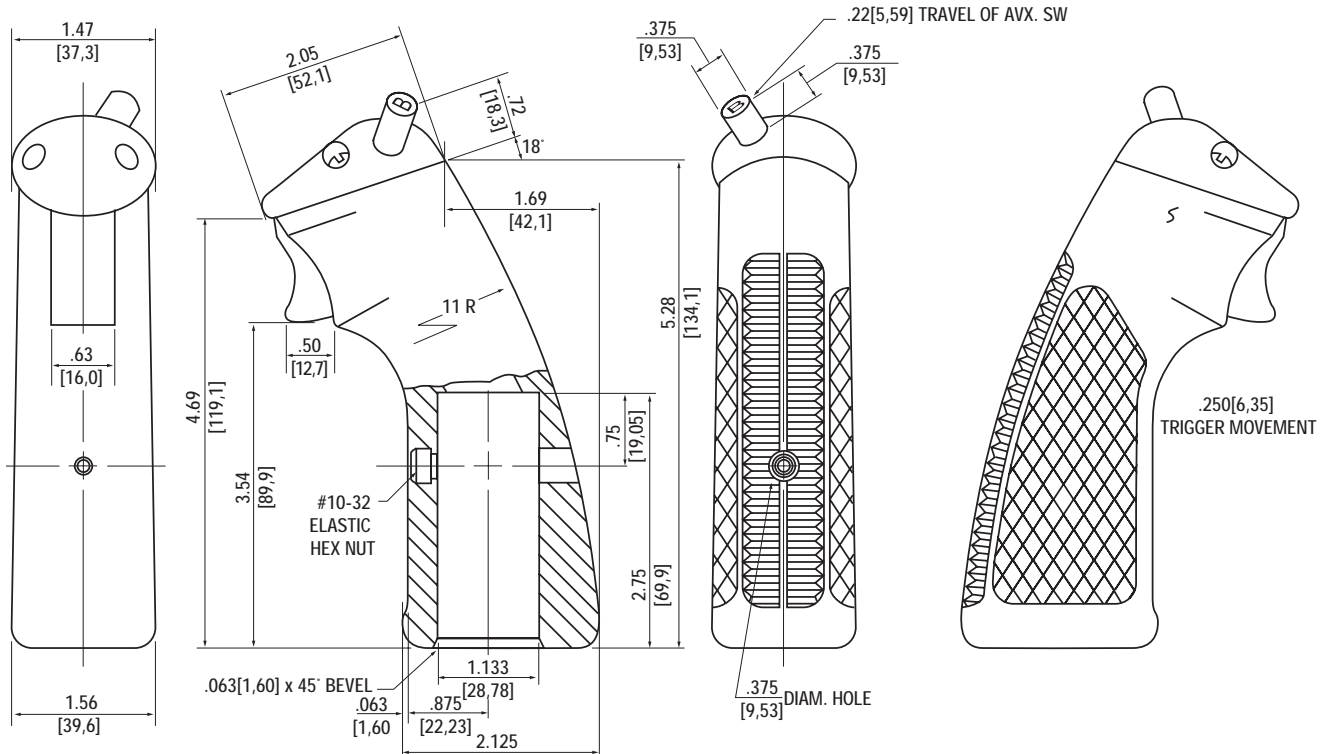
* Momentary Contact

PUSHBUTTON SWITCHES

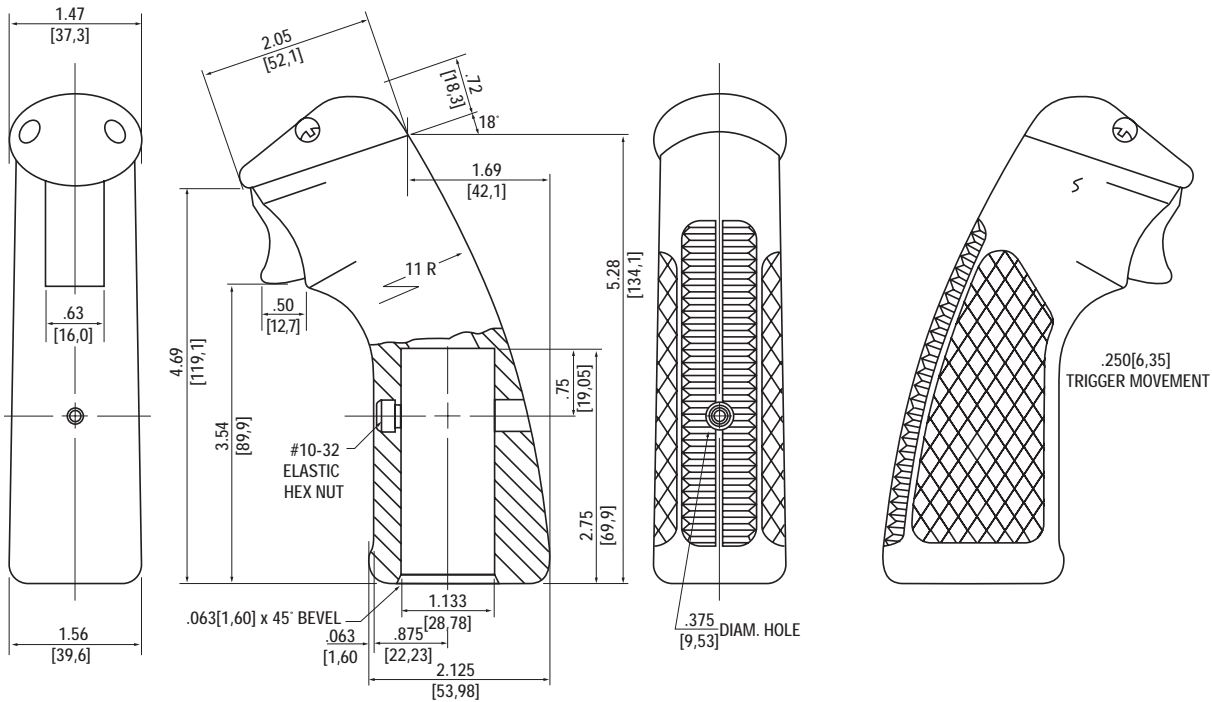
Series - 8895-8897, 8899

Hand Controls with Pushbutton Switches

APPROXIMATE DIMENSIONS - 8895K1



APPROXIMATE DIMENSIONS - 8896K1



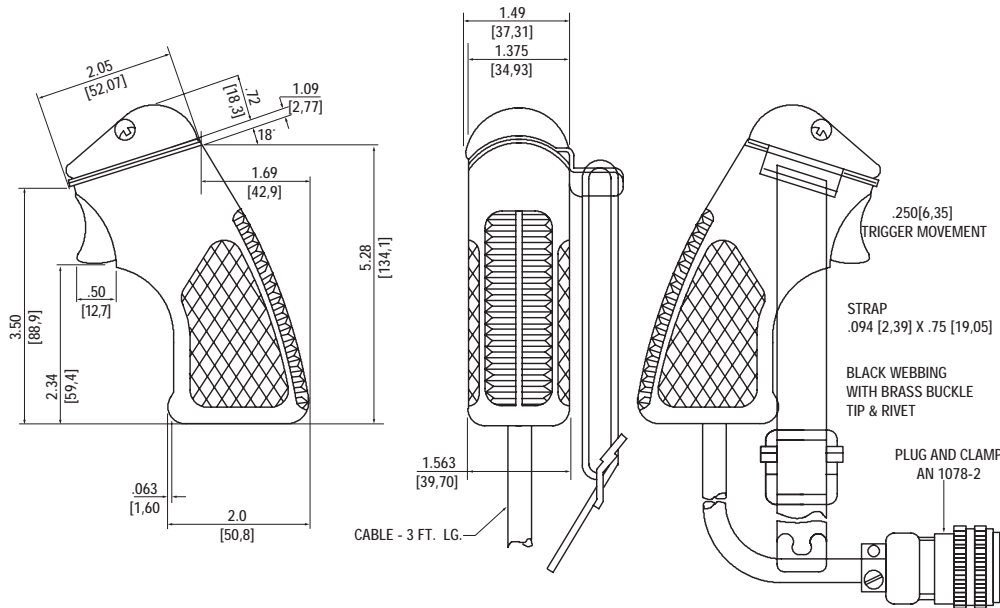
STANDARD

0.00 = inches

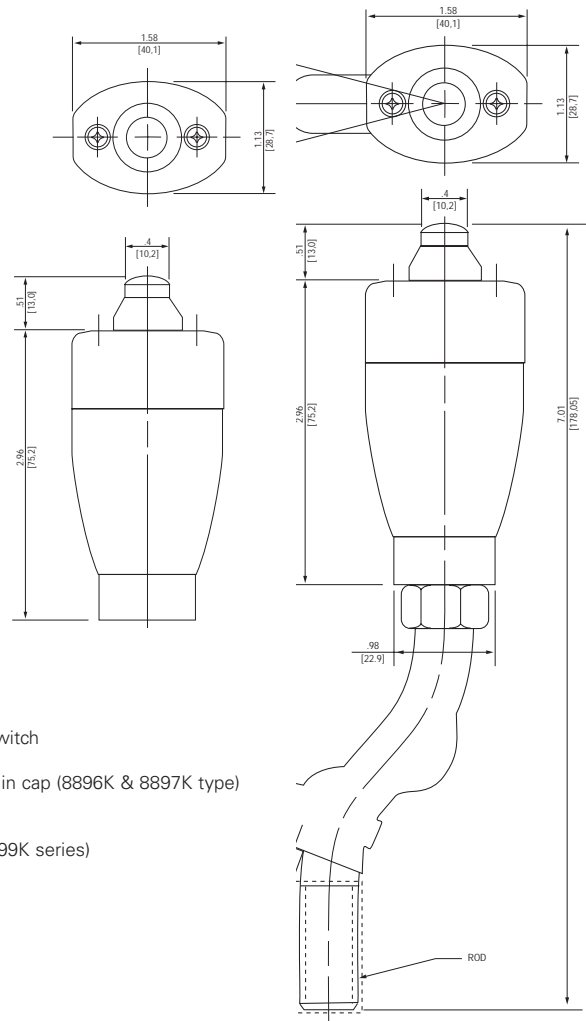
[0,0] = mm

Dimensions for reference only.

APPROXIMATE DIMENSIONS - 8897



APPROXIMATE DIMENSIONS - 8899



8899K 2.AI

OPTIONS/ACCESSORIES

- Replace trigger switch with sealed pushbutton switch
- Harness assemblies available
- Auxiliary toggle or pushbutton switches installed in cap (8896K & 8897K type)
- Multi-function switch variations
- Replacement components
- Joystick or hand-held configurations available (8899K series)

STANDARD
 0.00 = inches
 [0,0] = mm

Dimensions for reference only.