

FEATURES		SPECIFICATIONS		CURRENT RATINGS					
<ul style="list-style-type: none"> Made to MIL-DTL-8834 Requirements Sealed bushing Current rating versatility 4 pole circuitry (Maintained & Momentary variations) Non-teasible mechanism for all but center "on" position Dry circuit (logic loads loads) to power switching levels Wiping action contacts Positive make and break action Bullet and Mushroom Lever lock Actuator styles 12 Lever Locking configurations 15/32" bushing Dia. Solder-lug terminals ± Ø 	<ul style="list-style-type: none"> Bushing seal per MIL-DTL-8834 Meets 0.5" Head of Water Temperature Range: -22°F to +149°F -30°C to +65°C Electrical Life: 20,000 Operations at rated load Mechanical Life: 40,000 Operations 	28 and 50VDC (Amperes per pole)	115VAC 60Hz and 400Hz (Amperes per pole)	Resistive Load		Inductive Load			
				28VDC	28VDC	60Hz	400Hz	60Hz	400Hz
4	8879	Maintained and Momentary		5	1	2	3	1	2

Minimum Rating: 25 microamperes at 5 millivolts or less.

SELECTION TABLE

CIRCUIT WITH LEVER IN . . . FOUR POLE



Up Position	Center Position	Down Position (Keyway)	Catalog [Ⓢ] Number
ON	OFF	ON	8879K74
ON	OFF	ON	K75
ON	NONE	ON	K77
ON	NONE	ON	K78
ON	OFF	NONE	K79
ON	OFF	ON	K710
ON	OFF	ON *	K712
ON	NONE	OFF	K713
ON	NONE	OFF	K714
ON	OFF	ON *	K716
ON	OFF	NONE	K719
ON	OFF	ON *	K720
ON	ON	ON	K721 ①
ON *	ON	ON *	K722 ①
ON	ON	ON *	K723 ①
NONE	ON	ON *	K724 ①
ON *	OFF	ON *	K727
NONE	OFF	ON *	K728
ON *	OFF	ON *	K729
ON	ON	ON	K730 ①
ON	ON	ON	K731 ①
ON	ON	ON	K732 ①
ON *	ON	ON *	K734 ①
ON	ON	ON *	K735 ①
ON	ON	ON *	K736 ①

*** Momentary contact.**

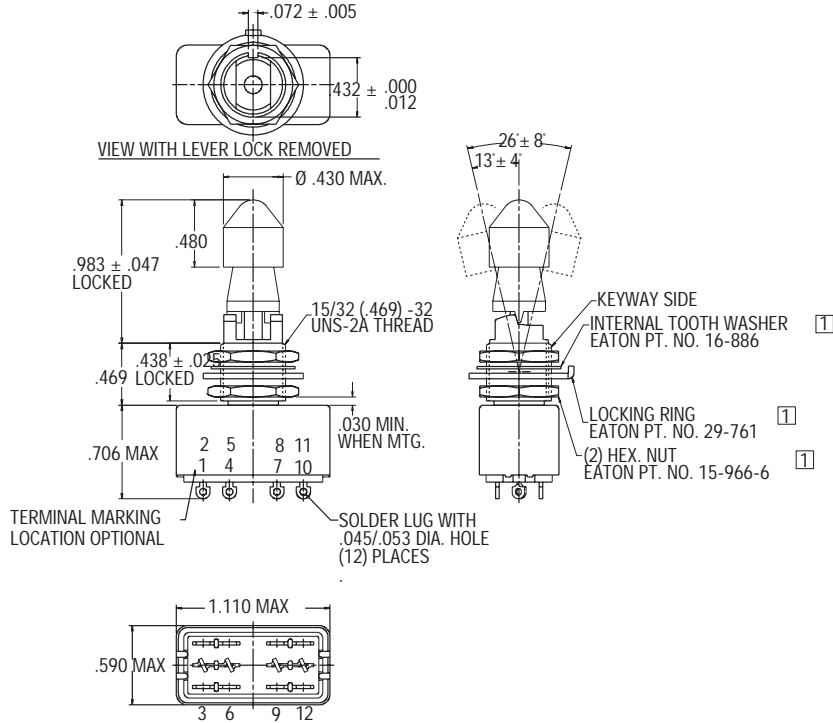
- ① Dielectric per MILS-8834 except limited to 1250 Volts. Delayed action of the switch toggle lever may cause circuit to close or open before snap action mechanism trips.
- Ⓢ Caution should be exercised during soldering and flux removal. See page A56 for details.

MINIATURE POSITIVE ACTION SWITCHES

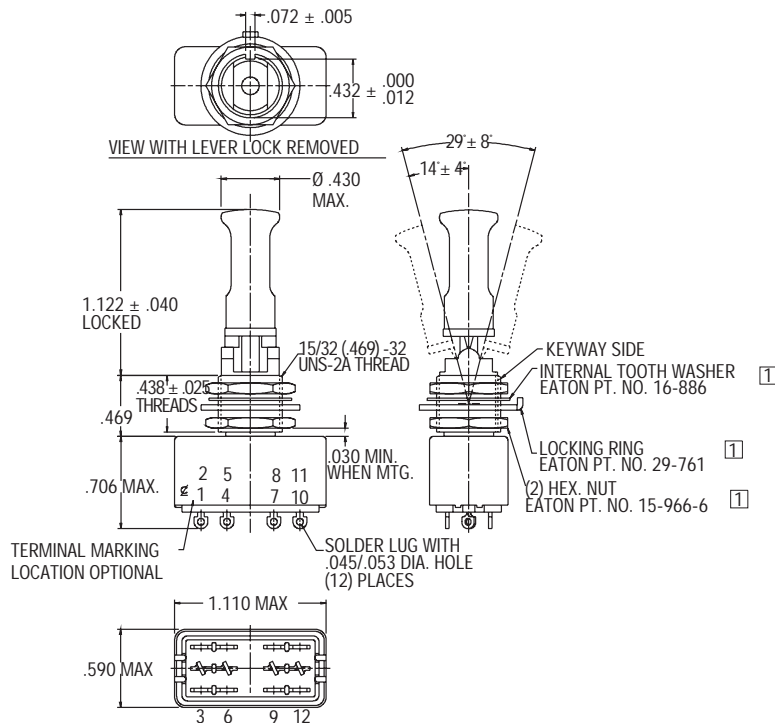
Series - 8879

4-Pole Miniature Positive Switch Series

MOUNTING DIMENSIONS - FOUR POLE / 8879



MOUNTING DIMENSIONS - FOUR POLE / 8879



Terminal Identification

STANDARD

0.00 = inches

[0,0] = mm

Mounting dimensions for reference only.

Non-functional terminals not supplied.